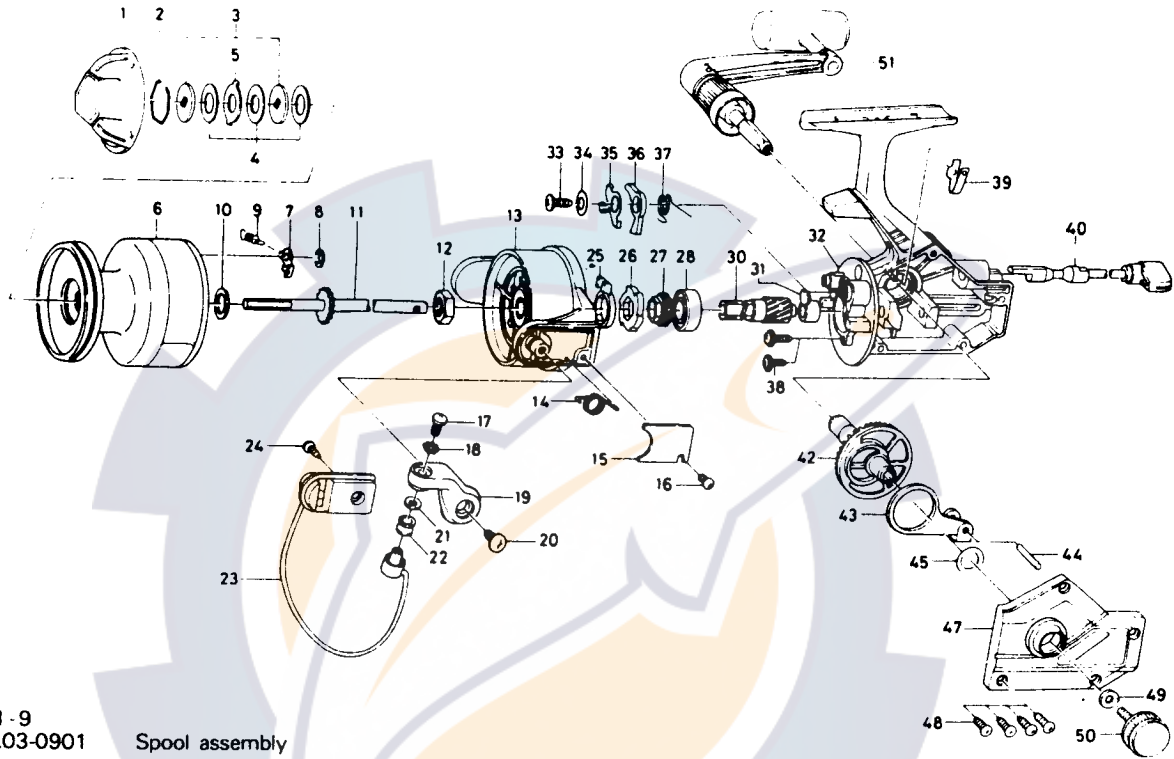


SPINNING REEL TL2600B/4000B



Key No. 1-9

L03-0901

Spool assembly

Key No.

Parts No.

Parts Name

1	L03-1401	Drag knob
2	171-7701	Drag washer retainer
3	L03-1301	Key washer
4	375-7802	Drag washer
5	B89-9501	Eared washer
6	L03-1001	Spool assembly
7	B07-8201	Click pawl
8	320-1402	Click retainer
9	145-2101	Click spring
10	L03-0801	Spool washer
11	L03-0601	Main shaft
12	340-8301	Rotor nut
13	L02-0601	Rotor assembly
14	144-2201	Bail spring
15	L02-0704	Bail spring cover
16	B83-4401	Bail spring cover screw
17	353-9701	Line roller screw
18	160-8101	Lock washer
19	E00-7501	Bail arm
20	E00-7601	Bail arm screw
21	373-4501	Line roller washer
22	250-4221	Line roller
23	L02-3704	Bail
24	L01-1701	Bail trip cam screw
25	L00-6701	Spring holder
26	L02-0401	Anti-reverse ratchet
27	L02-0301	Click gear
28	637-6101	Ball bearing
30	L02-0202	Pinion gear
31	B88-0001	Pinion holder

Key No.

Parts No.

Parts Name

32	L03-0405	Body
33	E00-7302	Anti-reverse pawl screw
34	371-0604	Anti-reverse pawl washer
35	L02-4801	Anti-reverse pawl plate
36	L02-0501	Anti-reverse pawl
37	E04-8301	Anti-reverse pawl spring
38	L01-1601	Bearing retainer screw
39	E01-1801	Stopper leaf spring
40	L02-0003	Anti-reverse lever
42	L02-1101	Drive gear
43	L02-1201	Oscillating slider
44	L02-1501	Oscillating slider pin
45	371-2800	Drive gear washer
47	L02-1605	Side cover
48	B83-5001	Side cover screw
49	L02-2301	Handle lock washer
50	L00-9102	Handle lock screw
51	L02-4201	Handle assembly

TL4000B Special Parts

Key No. 1-9

L03-2301

Spool assembly

Key No.

Parts No.

Parts Name

6	L03-2401	Spool assembly
13	L03-2001	Rotor assembly
23	L03-2104	Bail
32	L03-0406	Body
47	L02-1606	Side cover